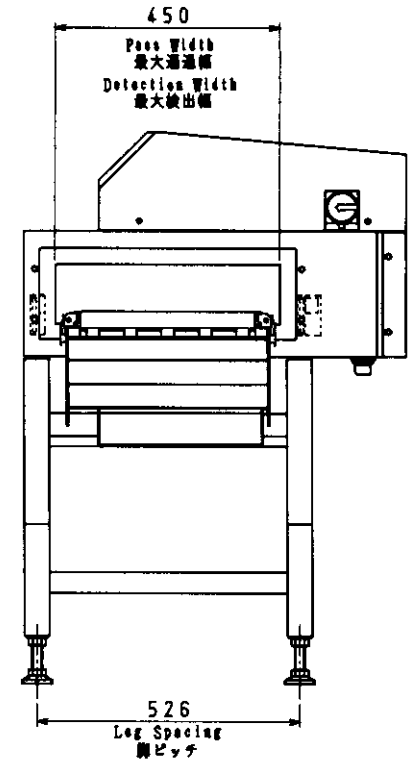
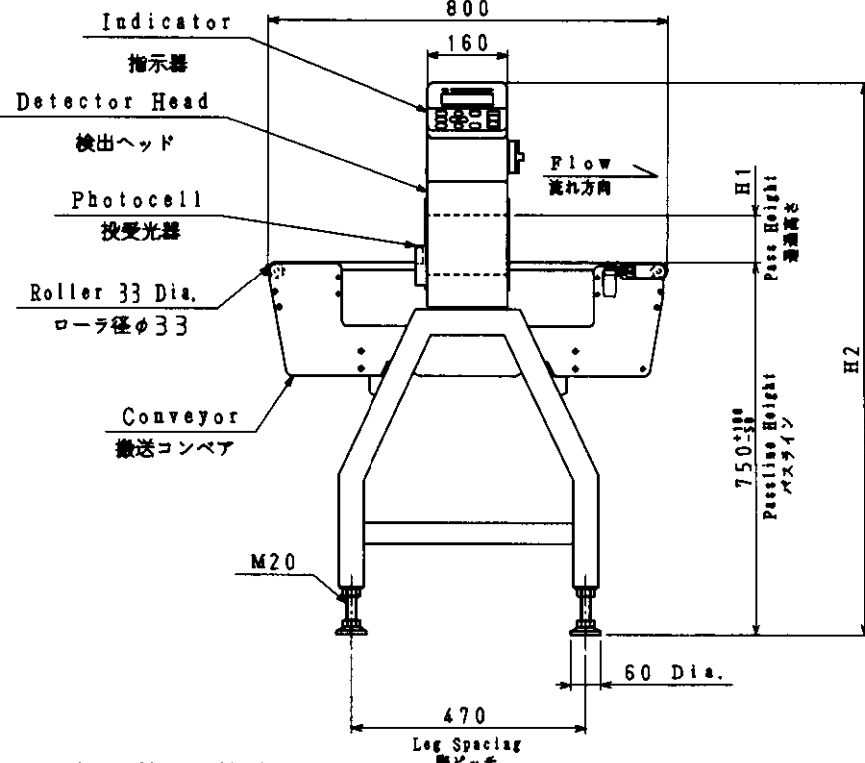
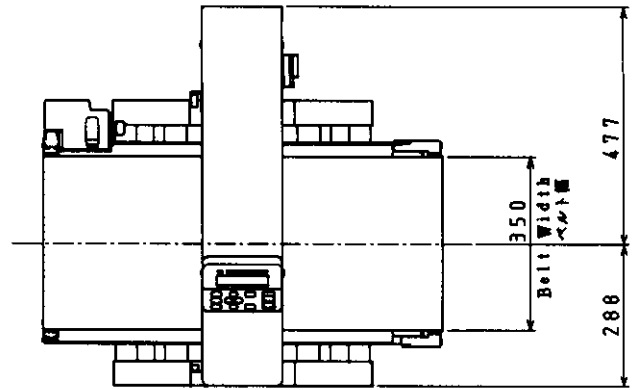


83W189053

APPLICATION

REVISIONS



	H1	H2
KD8124AW	95	1115±0.15
KD8125AW	125	1145±0.15
KD8126AW	175	1195±0.15

**Photocell Installation**

For Left-to-right flow : photocell installed on left of detector head, (this drawing)  
 For right-to-left flow : photocell installed on right of detector head.

**投受光器取付位置**

流れ方向 左→右 : 検出ヘッドの左側 (本図)  
 流れ方向 右→左 : 検出ヘッドの右側

UNIT : mm

QTY/ITEM	PART No.	DESCRIPTION	MATERIAL	FINISH	NOTE
CHECKED BY	-	DRAWN BY R. SATO 2003.01.31	SCALE		
APPROVED BY	-	DESIGNED BY H. WATABIKI 2003.01.31	1:1		
TITLE			DRAWING No.		REV. SHEET
KD812□AW EXTERNAL VIEW			83W189053		00 1/1

DEP

ICAD/SX  
 83A3

ANRITSU INDUSTRIAL SOLUTIONS CO., Ltd.